

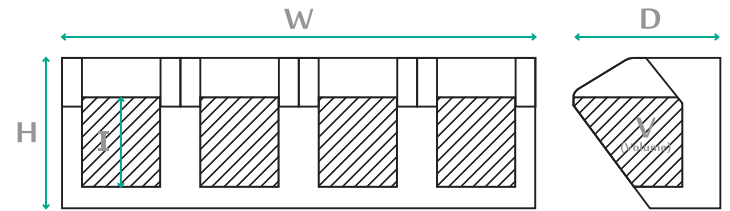


**go green**  
**lyf** Greenovate  
your living

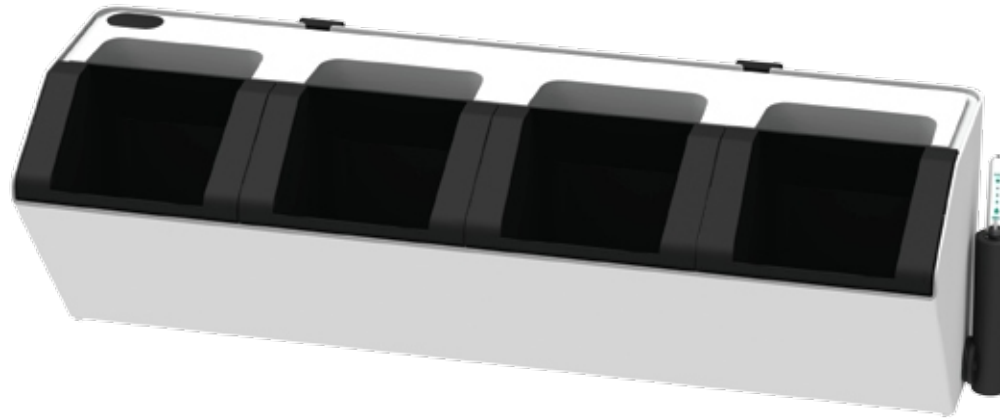


**Hydrofalls**

# Walls



W	D	H	I	V
57	18	18	10	0.8
———— (cm) ————				(L)



<p>Planter Body</p>	<p>Cover</p>	<p>Partitions</p>	<p>Pods</p>	<p>Water Level Indicator</p>	<p>Connector Assembly</p>
<p>Mounting Brackets</p>	<p>Side Plugs</p>	<p>Top Stopper</p>	<p>Internal Stopper (red)</p>	<p>Body Stand</p>	<p>Screws M4.5 x 50mm</p> <p>Wall Plugs 8mm x 30mm</p>

# Structural Design

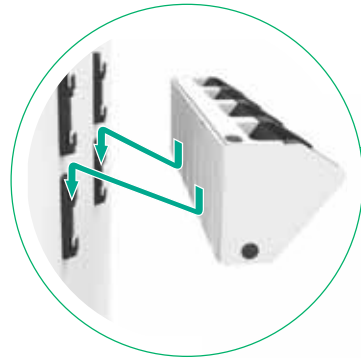


InDoor



OutDoor

Large (L)



Hook Design



Foldable stand



Separate Inner Design



Self Watering



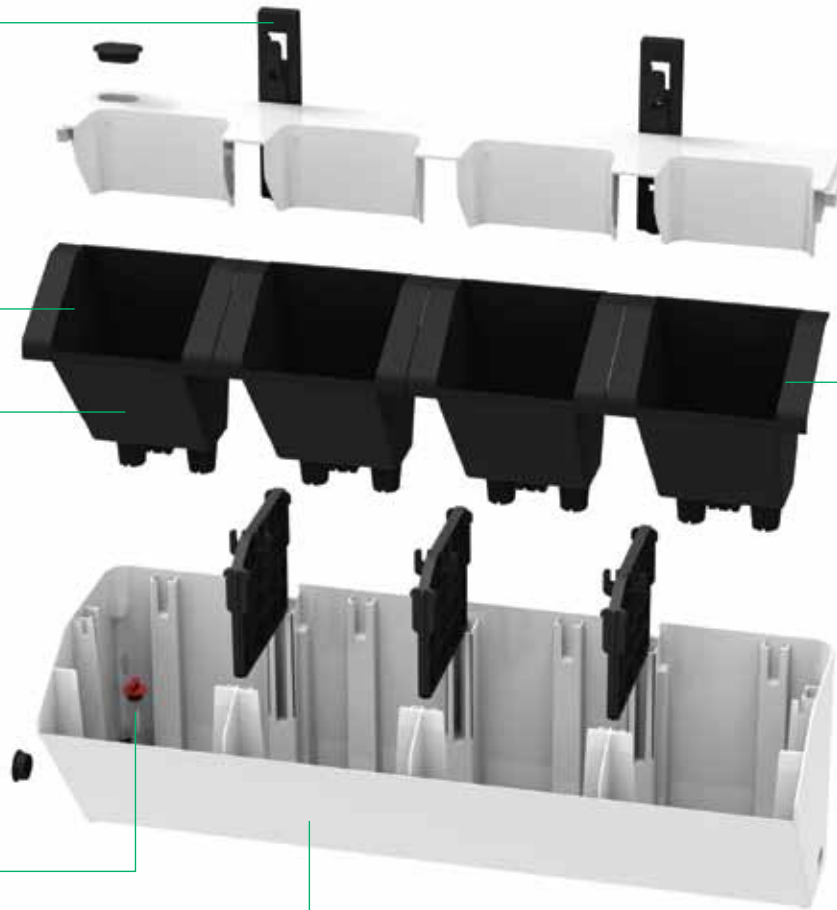
Stopper



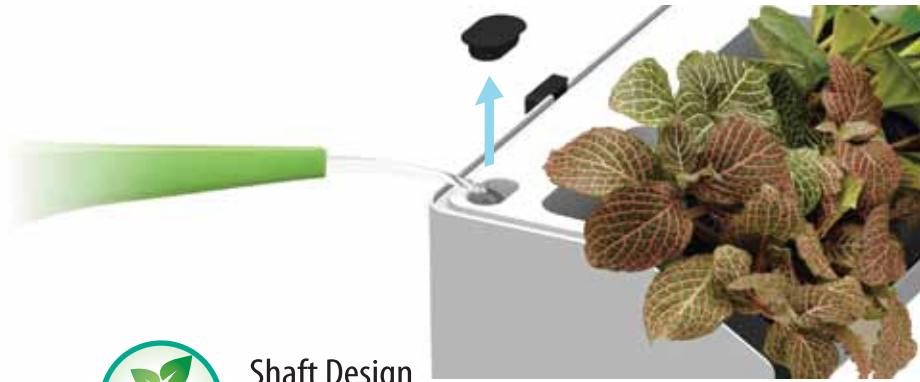
Light and Durable



Water level Indicator

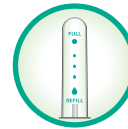


# Features



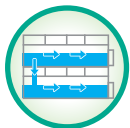
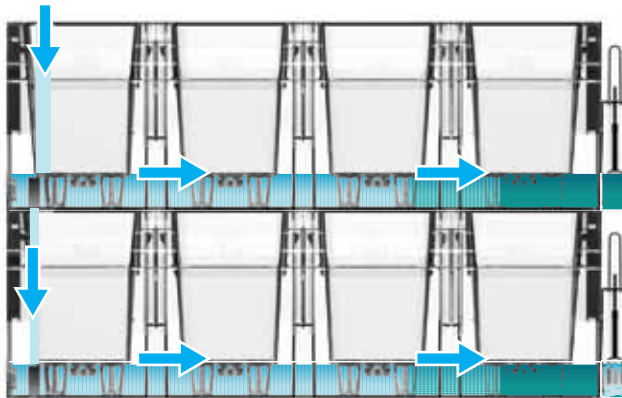
## Shaft Design

Remove the top stopper and slowly fill the reservoir.  
(Approximate weight of single planter when full: 6.8 kg)



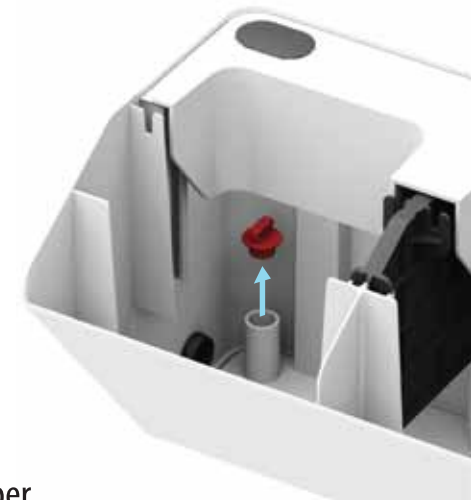
## Water level Indicator

The water level indicator stem should rise as the water level rises. Stop watering when the indicator reaches FULL.



## Water Flow System

Walls water flow system circulates throughout no matter how many vertical gardens you connect, all the time nourishing your plants.



## Stopper

If the product was located where is susceptible to frequent rainfall, we recommend removing the red stopper on the last planter, as illustrated above, to prevent the unit from overflowing.



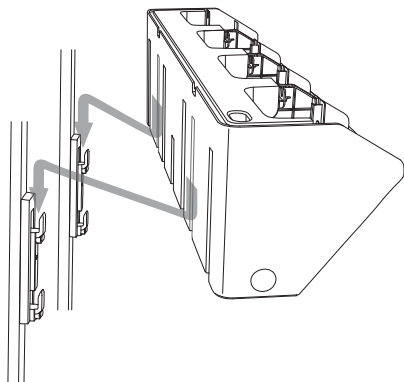
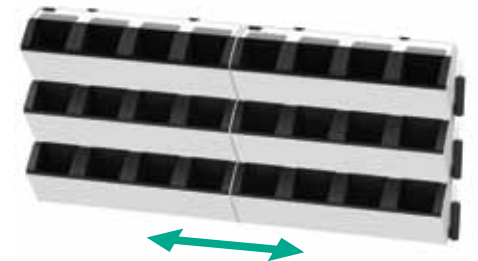
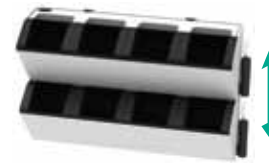
## Body Stand

Two additional base can help the planter stand alone on the floor, table or window.

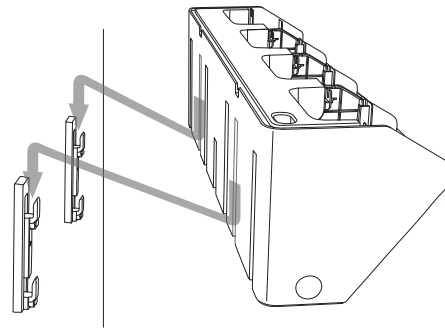


# Installation

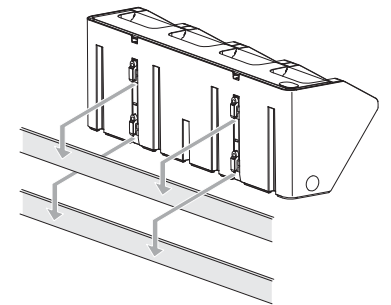
Designed for use in vertical gardening and Green Wall. The product can be stand-alone or connected horizontally and vertically to form a "vertical garden".



**A** On Rack



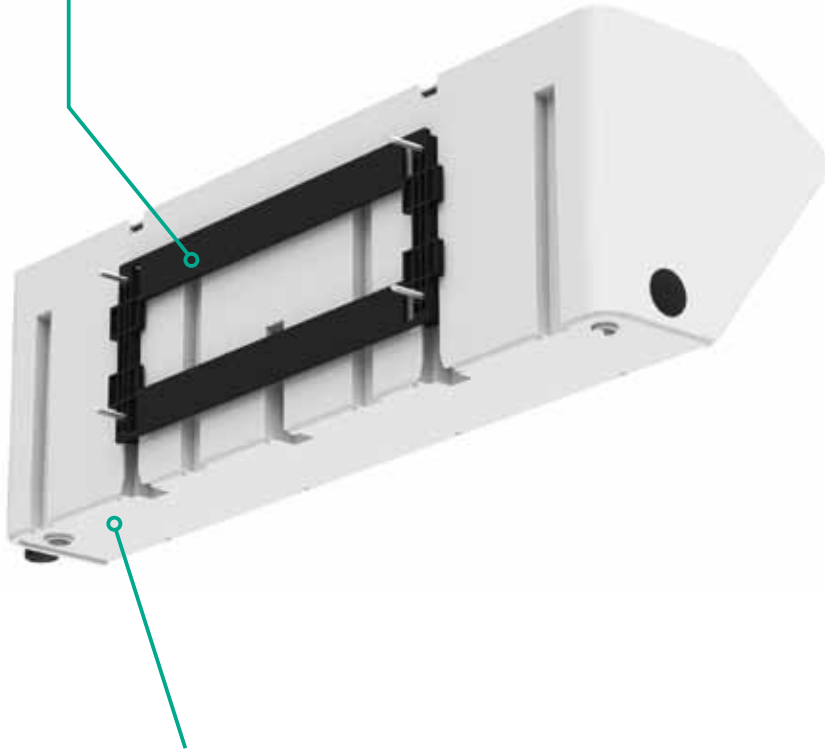
**B** On Wall



**C** On Bar

## Bracket

The new design bracket is more user-friendly to install, even the drilling had not been done very well.



## Body

Built-in dual water pipe hole design; The purpose is to increase the water flow, less chance to block the planter. Users now can also setup a electric water pump into the system.



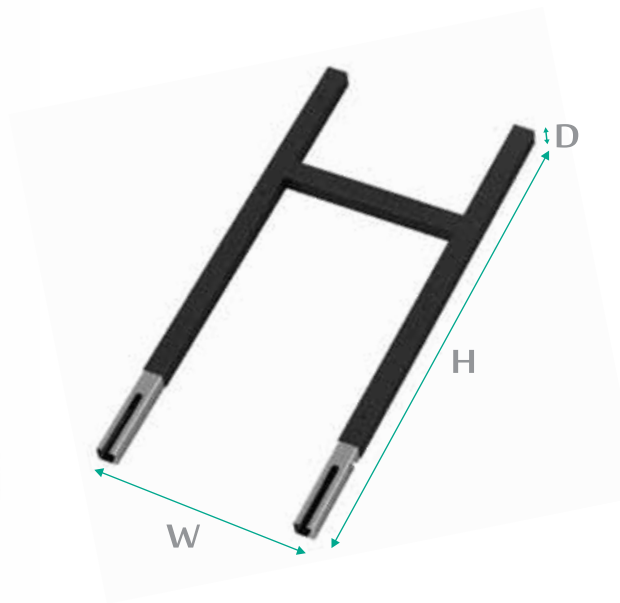
# Walls Rack



AGWA13-00

W	D	H	NW
45	25.5	114.6	3.5
— (cm) —			(kg)

# Walls Additional Rack

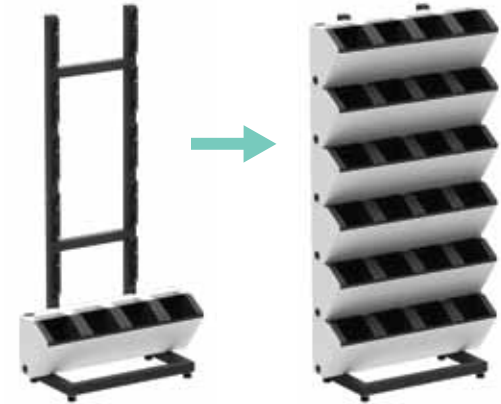


AGWA14-00

W	D	H	NW
31	2.8	66.8	1.15
— (cm) —			(kg)

## Walls Rack

Don't want to drill holes on your wall?  
Walls Rack can solve the problem. A single Rack can hang maximum 6 sets of Walls.



## Walls Additional Rack

Extension part of Rack. It allow you to add extra 3 sets of HydroFalls on top. We recommend not to install more than 12 planter units vertically.





HydroFalls



**GoGreenLyf** : a division of D41 World Trading LLP

Address: 101, The Summit, Hanuman Road, Vile Parle (East), Mumbai - 400 057 (INDIA)

Website: [www.gogreenlyf.com](http://www.gogreenlyf.com) Email: [info@gogreenlyf.com](mailto:info@gogreenlyf.com) Contact No.: +91-7767991117

Follow us on Facebook, Instagram @gogreenlyf