

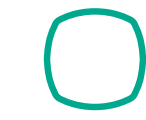


Planter Series

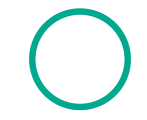
Go Green Lyf Planter



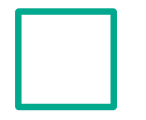
RAINS



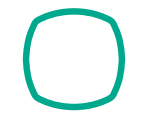
OCEANS



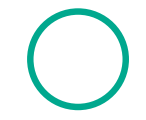
AQUAS



ICES



OXYGENS



LIQUIDS

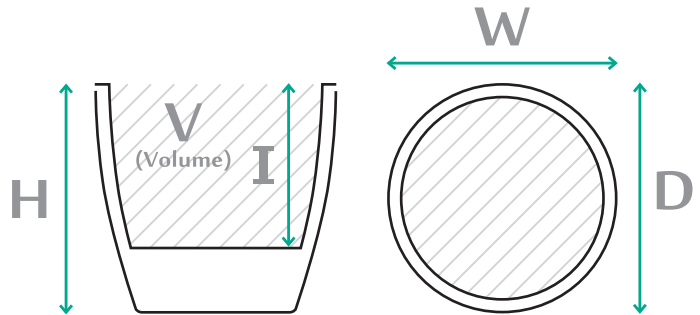


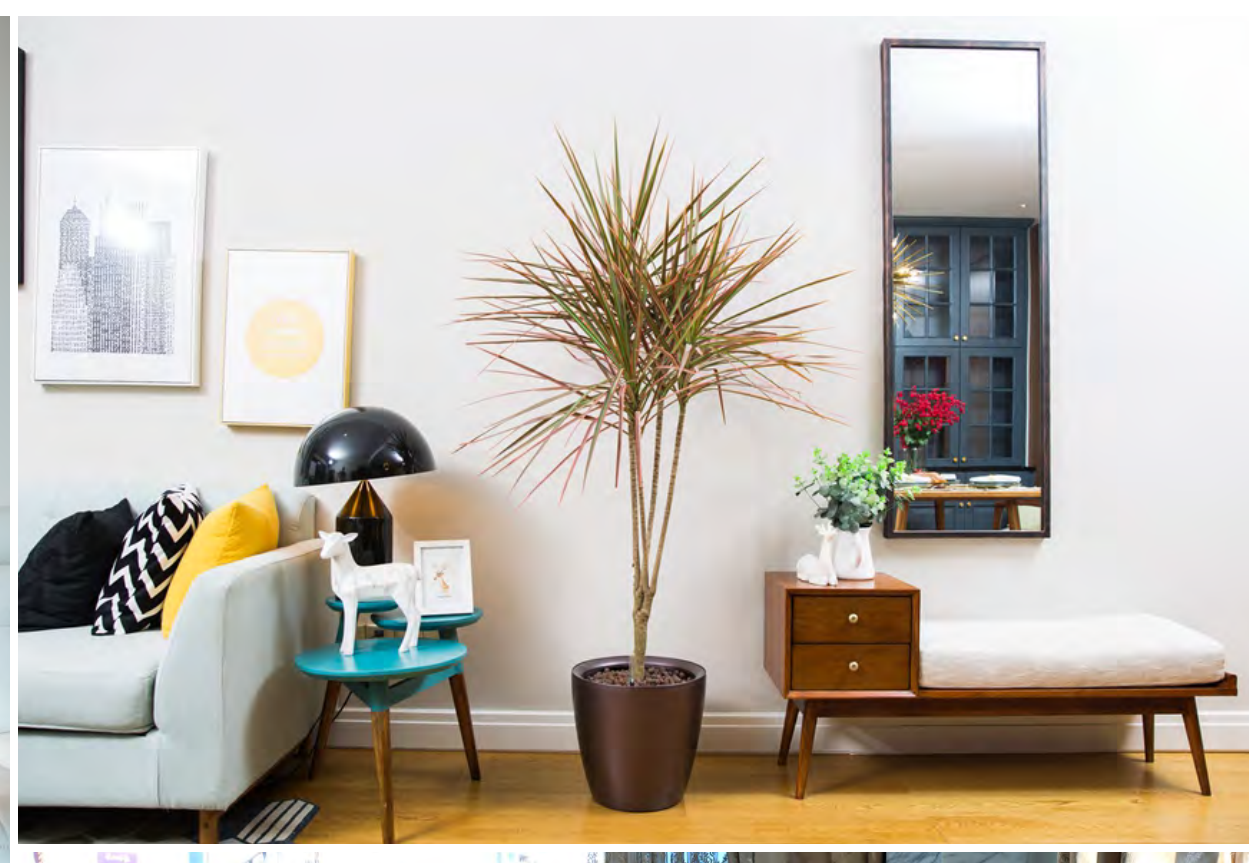
- Color
- Lime
 - Ivory
 - Dim Silver
 - Golden Rod
 - Coffee

AQUAS

Model	W	D	H	I	V
AQ1817	18	18	17	10	0.4
AQ2221	22	22	21	11	2.5
AQ2826	28	28	26	15	5.8
AQ3534	35	35	34	21	10.2
AQ4340	43	43	40	29	21.5

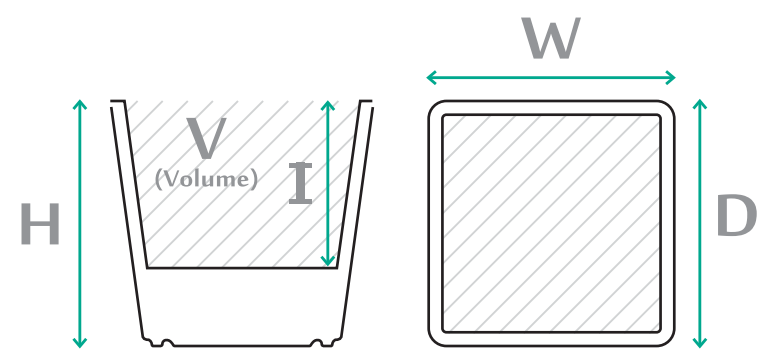
———— (cm) ———— (L)
 *Color & Size : Customization only on Bulk Quantity







RAINS



Model	W	D	H	I	V
RA1009	10	10	09	06	0.4
RA1313	13	13	13	08	0.9
RA2825	28	28	25	15	7.3
RA3633	36	36	33	16	12.5
RA4440	44	44	40	21	27.0

———— (cm) ———— (L)

*Color & Size : Customization only on Bulk Quantity

RAINS



36

28

10

13

44

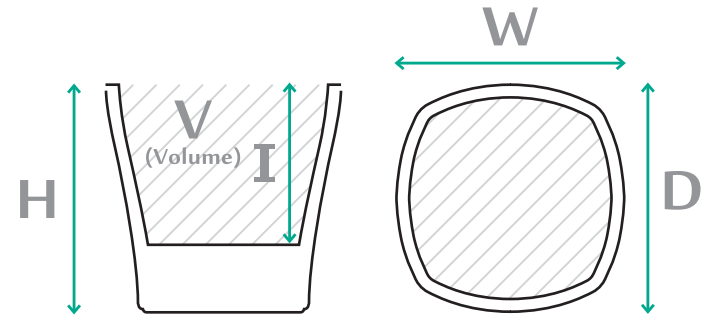




OCEANS

Model	W	D	H	I	V
OC1009	10	10	09	05	0.3
OC1816	18	18	16	11	2.1
OC3530	35	35	30	19	10.3
OC4538	45	45	38	27	23.0

———— (cm) ———— (L)
 *Color & Size : Customization only on Bulk Quantity



OCEANS





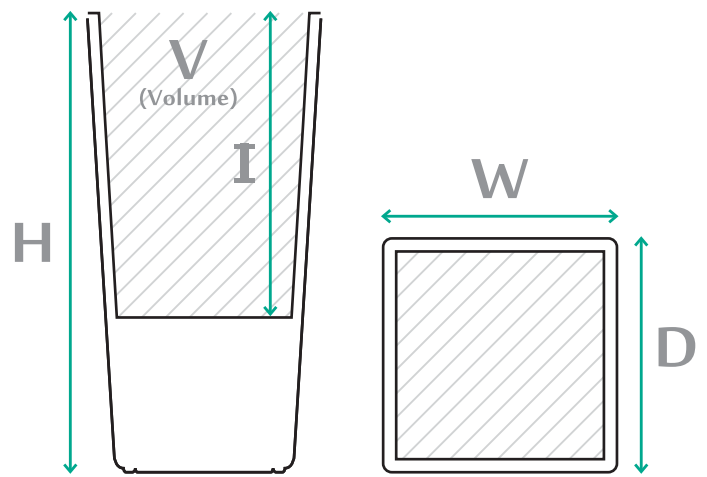


ICES

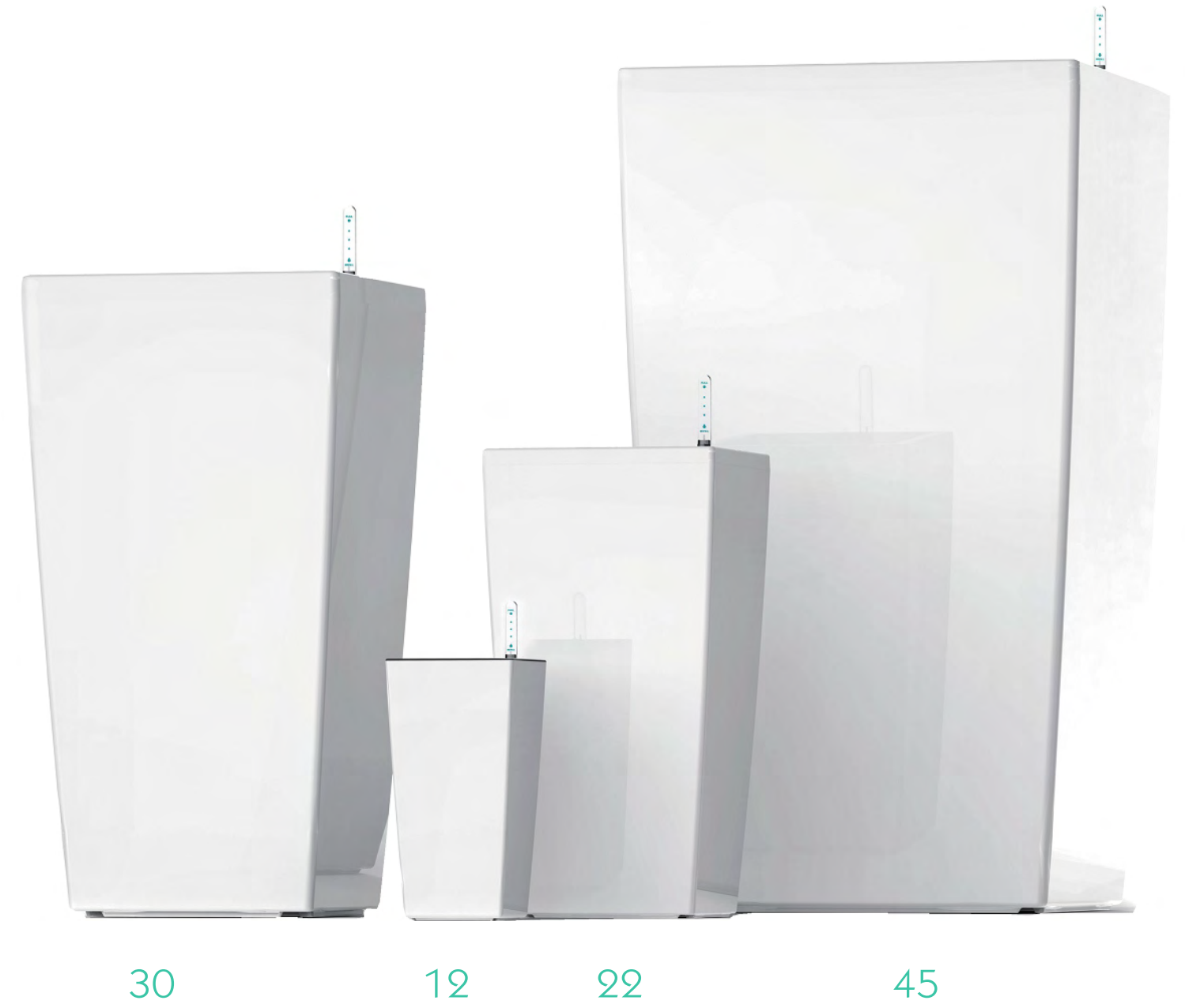
Model	W	D	H	I	V
IC1223	12	12	23	11	1.1
IC2243	22	22	43	17	5.2
IC3059	30	30	59	25	12.3
IC4581	45	45	81	33	41.5

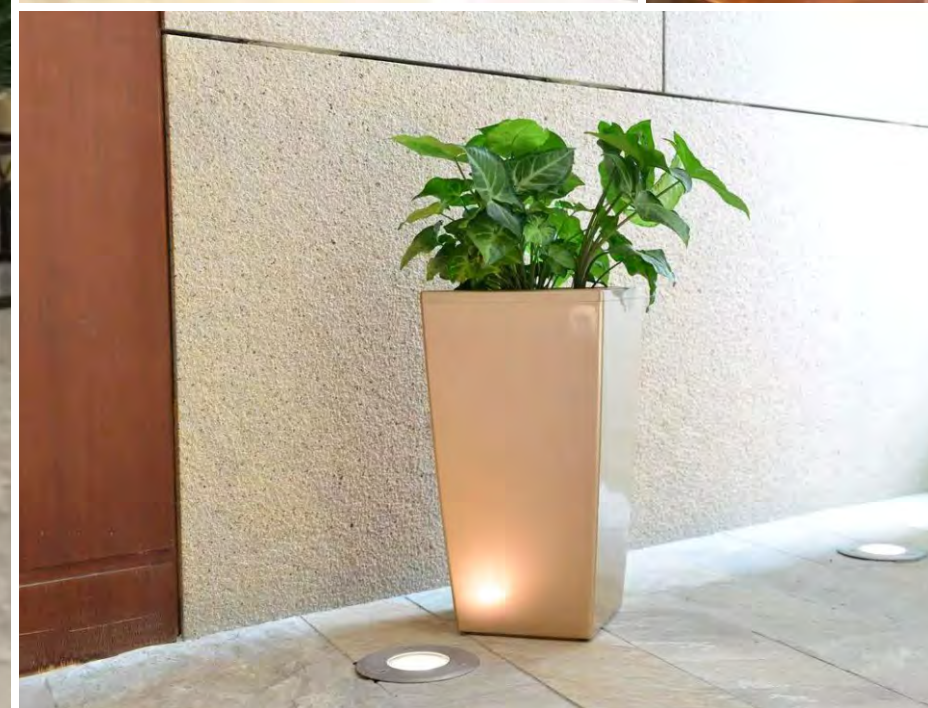
———— (cm) ———— (L)

*Color & Size : Customization only on Bulk Quantity



ICES



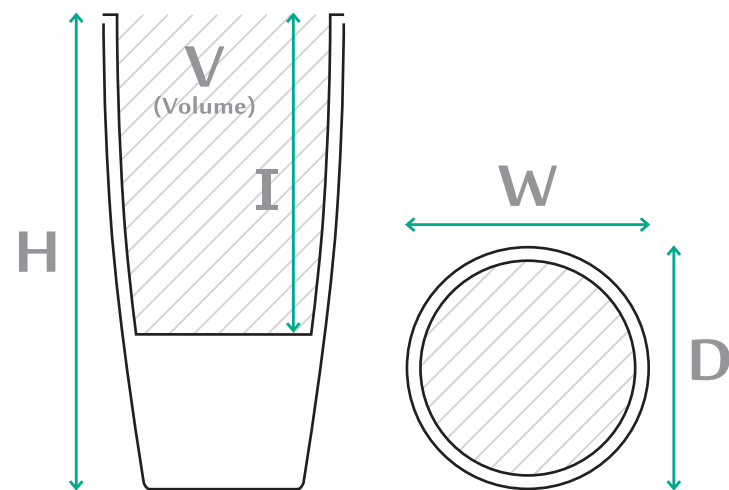


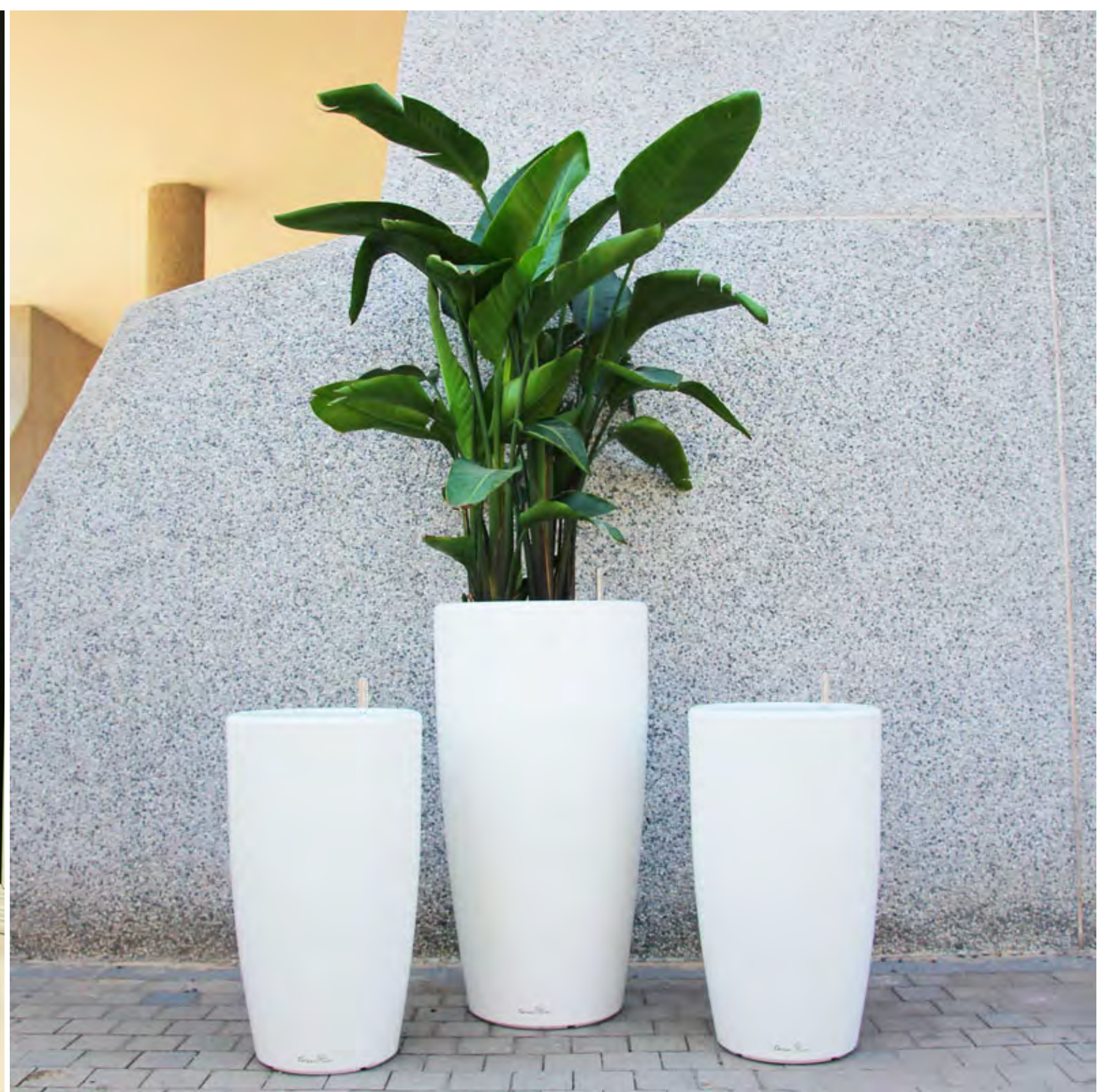
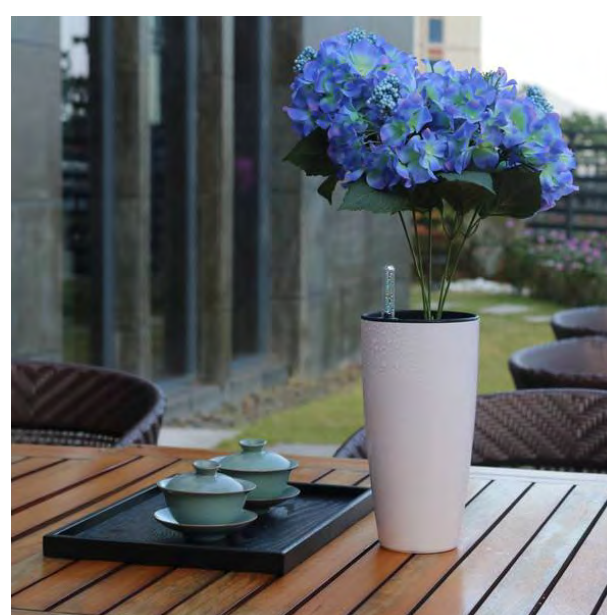
LIQUIDS

Model	W	D	H	I	V
LQ1223	12	12	23	11	0.8
LQ3561	35	35	61	17	10.2
LQ4381	43	43	81	24	21.5

———— (cm) ———— (L)

*Color & Size : Customization only on Bulk Quantity





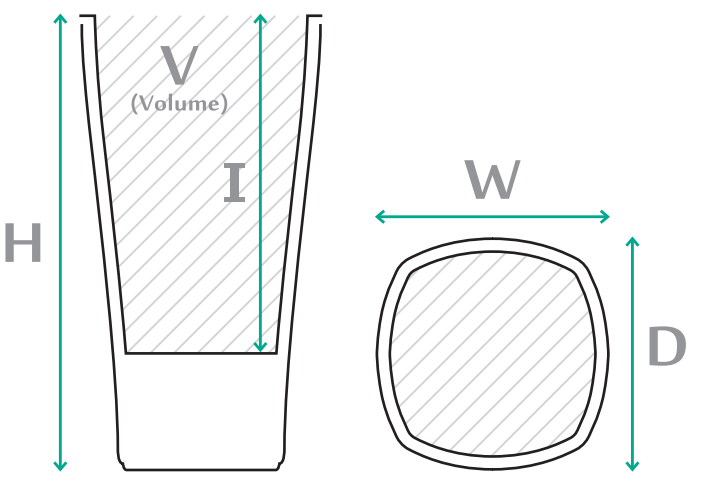


OXYGENS

Model	W	D	H	I	V
OX1831	18	18	31	23	2.1
OX2441	24	24	41	15	4.2
OX3051	30	30	51	17	8.3
OX3561	35	35	61	19	10.3
OX4578	45	45	78	27	23.0

—— (cm) —— (L)

*Color & Size : Customization only on Bulk Quantity



OXYGENS





Features



Light and Durable

Planters' Body and Inner are made with Heat-Resisting ABS and high density Anti-UV PP



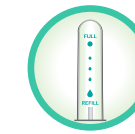
Separate Inner Design

Hidden inner design can prevent water evaporation and keep good sanitation. Also, you can refresh your planter conveniently.



Self Watering

Foam stone can retain up to 40% of its volume in water and supports aeration of the roots whilst providing optimal dosage of water.



Water level Indicator

The planter indicator clarifies water level running inside the inner.

Shaft Design

The shaft design allows less compaction of the soil which caused by the pressure put on with top-watering.



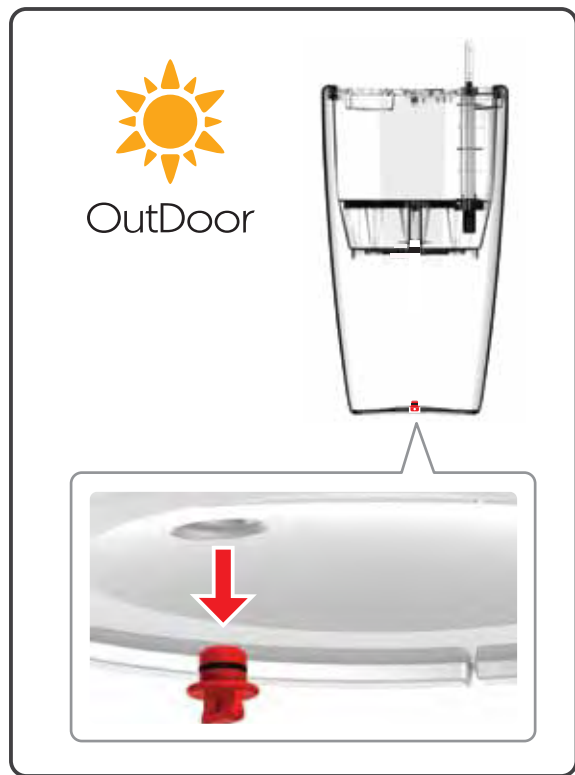
Stopper

With the unique inner design, now you can clean up your planter without obstructing your plant.



Installation

1 Set up



First make sure the Black and Red stopper are firmly installed.
(Remove red stopper for outdoor usage)

2 Add Foam Stone



Pour the foam stone into the inner, make sure it covers the entire surface of the separator.

3 Put on Plant



Put a layer of soil on top of the foam stone and plant any type of green you like, then carefully cover the root with soil again.

4 Initiation



Once the plant has settled in, initiate HydroSystem by fill in water according to the water level indicator.

5 Irrigation (Root Growing Period)



Use top-watering for the first 2 weeks depending on the type of plant.

6 HydroSystem™



After the first 2 weeks, the root will grow into the foam stone. You can irrigate the plant by HydroSystem only. For larger plant it may take longer.

Structural Design



Small (S)



Medium (M)



Large (L)



GoGreenLyf

a division of D41 World Trading LLP

Address: 101, The Summit, Hanuman Road, Vile Parle (East), Mumbai - 400 057 (INDIA)

Website: www.gogreenlyf.com Email: info@gogreenlyf.com Contact No.: +91-7767991117

Follow us on Facebook, Instagram @gogreenlyf